

MOD. 1866 RIFLE



A. Uberti S.p.A.

Via Artigiani, 1 - Gardone V.T. (Brescia) - ITALY

Instruction Manual

BEFORE REMOVING THE FIREARM FROM THIS PACKAGE,
READ & UNDERSTAND THE PRECAUTIONS IN THE
INSTRUCTIONS MANUAL

MOD. 1866

SPECIAL SAFETY INSTRUCTIONS

- 1) Uberti lever action rifles should never be carried with a cartridge in the chamber.
- 2) Carrying this style of rifle with a cartridge in the chamber can result in an accidental discharge if the firearm is accidentally dropped or if the hammer is struck.
- 3) The lever locking mechanism is designed to prevent an accidental discharge. However, no mechanical device is foolproof and, accordingly, these procedures must be followed.
- 4) Due to the fact that in a tubular magazine rifle the cartridges are stacked one behind the other, only factory ammunition should be used.
- 5) We recommend against using old ammunition in these rifles as primers, powder and brass cartridge cases can deteriorate and cause damage to the rifle or injury to the shooter or others.
- 6) Uberti assumes no liability for incidents occurring through the use of reloaded ammunitions.
Use **ONLY COMMERCIALY** loaded cartridges that have been loaded in accordance with SAAMI-C.I.P. standards.

TO LOAD THE FIREARM

(1) Turn the lever locking latch to the release position (Fig. 1).
Releasing the latch should allow the lever to go down approximately 1/2". Do not push the lever forward. (Fig. 2).

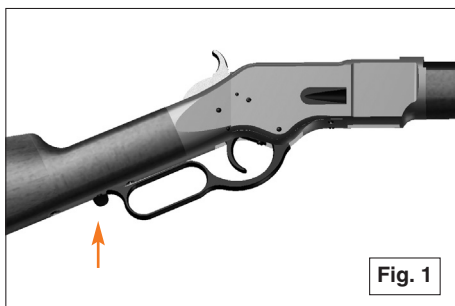


Fig. 1



Fig. 2

(2) Load the tubular magazine by pressing the cartridge into the ladle, which is located on the right side of the receiver. Push the cartridge forward and insert it into the tubular magazine (Fig. 3).



Fig. 3



Fig. 4

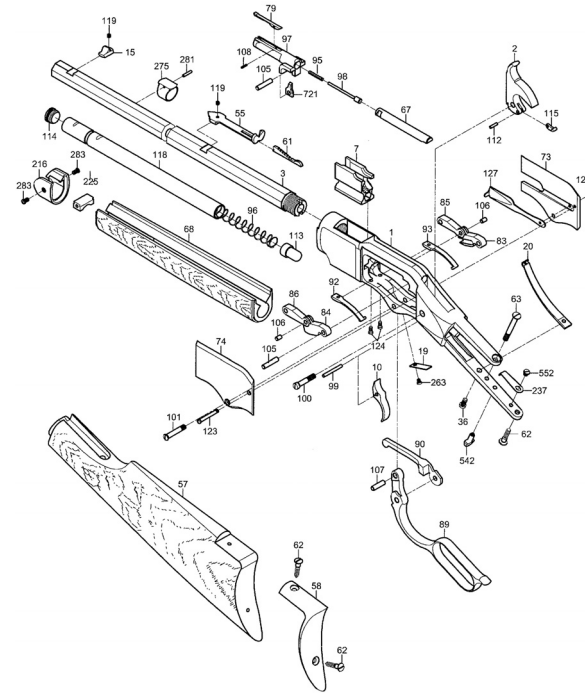
When loading cartridges through the ladle, leave the rim of each cartridge protruding sufficiently to hold the ladle open.

When loading the last cartridge, insert it fully into the magazine thereby allowing the ladle to close. Do not insist on forcing the spring. Overloading the magazine may result in improper feeding.

(3) When you are ready to actually fire the firearm, the lever is pushed forward as far as it will go and is then pulled straight back. Your finger should **NOT TOUCH THE TRIGGER** while manipulating the lever. (Fig. 4).

The rifle will now be fully cocked and will fire when the trigger is pulled. If the lever does not go forward, release the loading lever latch by turning the small knob perpendicular to the rifle.

N.	Code No.	Q.ty	Description	N.	Code No.	Q.ty	Description
1	0220001	1	Frame Assembly Cal.38 (1 + 73 + 74)	118	0232118	1	Magazine Tube 24 1/4"
2	0200002	1	Hammer Assembly	119	0400692	2	Locking Screw
3	0252003	1	Barrel 24 1/4" Cal.38SP	123	0200123	1	Side Plate Screw
7	0220007	1	Carrier Block Cal.38SP	124	0200124	2	Lever Spring Screw
10	0200010	1	Trigger	127	0220127	1	Ladle
15	0202015	1	Sight	128	0220128	1	Ladle Screw
19	0200019	1	Trigger Spring	216	0202216	1	Magazine Tube Outer
20	0200020	1	Main Spring	225	0202225	1	Forend Protection Bearing
36	0200036	1	Main Spring Screw	237	0200237	1	Hook Lever Spring
55	0242055	1	Rear Assembly	263	0200263	1	Trigger Spring Screw
57	0202057G	1	Rough Butt Stock	275	0202275	1	Magazine Tube Bearing
57	0202057	1	Polished Butt Stock & Plate	281	0202281	1	Magazine Tube Bearing Pin
58	0202058G	1	Rough Butt Plate	283	0202283	2	Forend Protection Screw
61	0242061	1	Rear Sight Ramp	542	0200542	1	Hook Lever
62	0200062	3	Butt Plate Screw	552	0000552	1	Hook Lever Spring Screw
63	0200063	1	Tang Screw	721	0220721	1	Firing Pin Extension Stop
67	0200067	1	Firing Pin Extension	ALTERNATIVES COD. 0217 - 0219 - 0221 - 0224 - 0225 - 0226 - 0227 - 0229 - 0231 - 0232 - 0234			
68	0200068G	1	Rough Forend	1	0230001	1	Frame Assembly Cal.45/Cal.44-40 (1+73+74)
68	0200068	1	Polished Forend	3	0221003	1	Barrel 20" Cal.38SP
73	0220073	1	Rough Right Side Plate	3	0241003	1	Barrel 20" Cal.44-40
74	0200074	1	Rough Left Side Plate	3	0242003	1	Barrel 24 1/4" Cal.44-40
79	0220079	1	Extractor Cal.38SP	3	0249003	1	Barrel 24 1/4" Cal.44SP
83	0220083	1	Right Rear Link	3	0255003	1	Barrel 24 1/4" Cal.32-20
84	0220084	1	Left Rear Link	3	0264003	1	Barrel 24 1/4" Cal.38-40
85	0220085	1	Right Front Link	3	0281003	1	Barrel 20" Cal.45LC
86	0220086	1	Left Front Link	3	0282003	1	Barrel 24 1/4" Cal.45LC
89	0200089	1	Lever	3	0283003	1	Barrel 20" Cal.38-40
90	0200090	1	Lifter Arm	3	0285003	1	Barrel 20" Cal.44SP
90	0200090	1	Lifter Arm	3	0293003	1	Barrel 20" Cal.32-20
92	0200092	1	Right Lever Spring	3	2003003	1	Barrel 20" Cal.32H&R Mag
93	0200093	1	Left Lever Spring	3	2008003	1	Barrel 18" Cal.44-40
95	0070016	1	Firing Pin Spring	3	2011003	1	Barrel 18" Cal.45LC
96	0230096	1	Magazine Spring 20"	3	2026003	1	Barrel 18" Cal.38SP
97	0220097	1	Breech Block Cal.38SP	7	0230007	1	Carrier Block Cal.45/Cal.44-40
98	0220098	1	Firing Pin	68	0241068	1	Polished Forend 20" / 18"
99	0200099	1	Trigger Pin	79	0230079	1	Extractor Cal.45/Cal.44-40
100	0200100	1	Hammer Pin Screw	97	0230097	1	Breech Block Cal.45/Cal.44-40
101	0200101	1	Lever Screw	108	0230108	1	Extractor Pin Cal.45/Cal.44-40
105	0200105	2	Rear Link Pin	113	0230113	1	Magazine Follower Cal.45/Cal.44-40
106	0200106	2	Link Pin	118	0241118	1	Magazine Tube 20"
107	0200107	1	Lever Pin	118	2008118	1	Magazine Tube Assembly 18"
108	0200108	1	Extractor Pin Cal.22				
112	0200112	1	Stirrup Pin				
113	0220113	1	Magazine Follower Cal.38SP				
114	0230114	1	Magazine Tube Plug				
115	0200115	1	Hammer Stirrup				



(4) After you have fired the first shot, the next cartridge is loaded by repeating step 3.

UNLOADING THE FIREARM

(5) To unload the firearm it is essential that the lever not be squeezed flush with the frame, as doing so would disengage the safety lock.

(6) With the firearm pointed in a safe direction, place your fingers through the rear portion of the loading lever. Be sure your first and second fingers are inside the lever loop. **DO NOT TOUCH THE TRIGGER.** Then push the lever straight forward and then pull it back. The cartridge that was in the chamber should be automatically ejected by the firearm and another cartridge from the magazine will be automatically loaded into the firearm. (Fig. 5).



Fig. 5

(7) Repeat step 6 until all cartridges have been ejected from the firearm. After all cartridges have been ejected, cycle the action four or five more times as described in step 6 as an added precaution to assure that all rounds were ejected.

(8) After step 7, move the lever to the forward position while visually inspecting **both the chamber and the carrier block**, to confirm that no cartridges are still in the firearm.

(9) Pull the lever to the rear, squeeze the loading lever flush with the frame and with your thumb on the hammer, pull the trigger and with your thumb slowly lower the hammer.

(10) We suggest, when the firearm is not in use, that the loading lever locking mechanism be left disengaged.